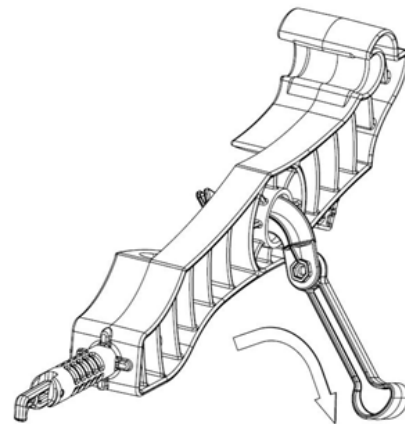


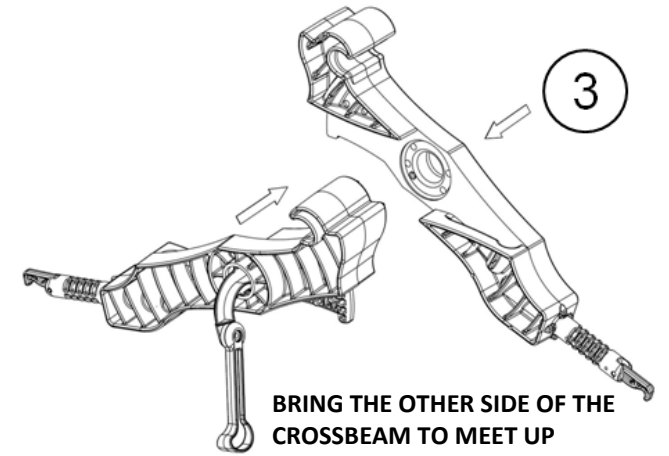
1

SLIP THE BOTTOM OF THE KICKSTAND INTO THE INSIDE OF ONE OF THE CROSSBEAMS.



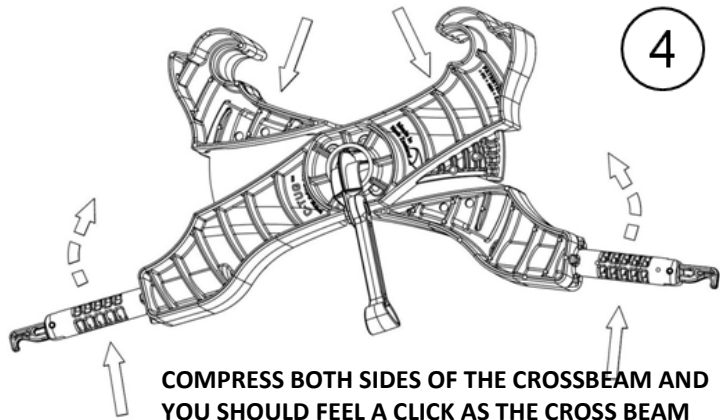
2

PULL KICKSTAND COMPLETELY THROUGH AND ENSURE THE PINS IN THE KICK STAND BASE INSERT INTO THE INDENTIONS ON THE INSIDE OF THE CROSSBEAM



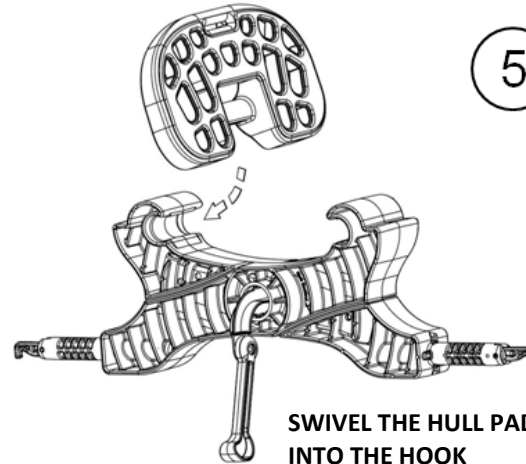
3

BRING THE OTHER SIDE OF THE CROSSBEAM TO MEET UP AGAINST THE KICKSTAND SIDE.



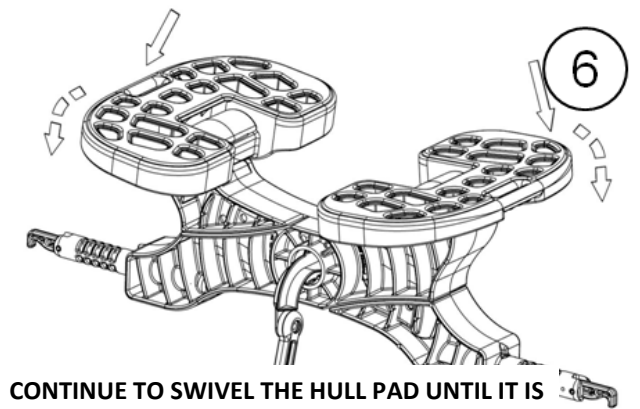
4

COMPRESS BOTH SIDES OF THE CROSSBEAM AND YOU SHOULD FEEL A CLICK AS THE CROSS BEAM PINS FIT INTO THE OPPOSITE SIDE



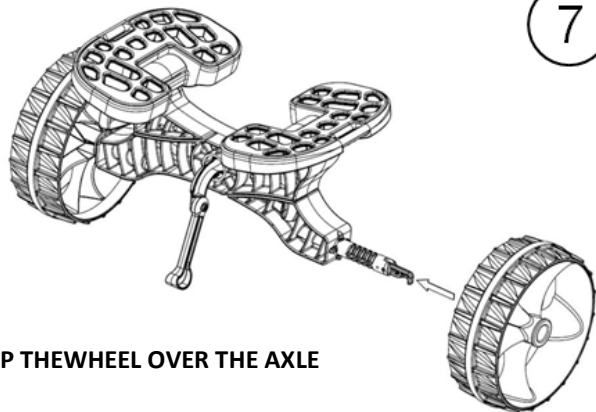
5

SWIVEL THE HULL PAD INTO THE HOOK



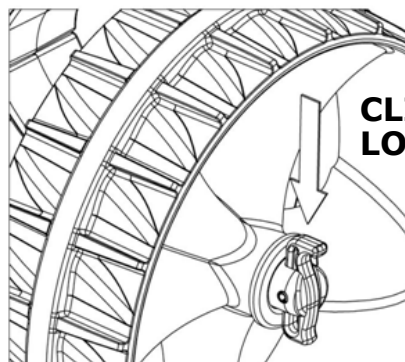
6

CONTINUE TO SWIVEL THE HULL PAD UNTIL IT IS FLAT. THE HULL PAD CAN FACE IN, BUT IS MOST COMMONLY USED FACING OUT.



7

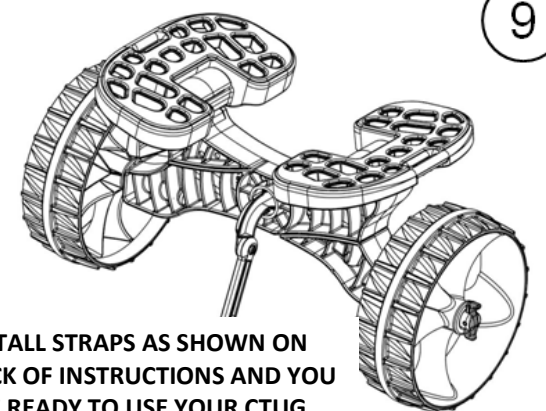
SLIP THE WHEEL OVER THE AXLE



8

CLICK TO LOCK

PUSH DOWN ON AXLE PIN TILL IT CLICKS INTO THE LOCK POSITION.



9

INSTALL STRAPS AS SHOWN ON BACK OF INSTRUCTIONS AND YOU ARE READY TO USE YOUR CTUG

# Caring For Your C-TUG™ Cart

Thanks for purchasing a Quality, New Zealand Made C-TUG Cart

The C-TUG is designed for the movement of watercraft. It is specifically not designed for the movement of people either directly on the cart, or in or on watercraft or other objects placed on the cart.

Due to the harsh and abusive environment where this product may be used, we suggest the following steps be taken to extend the life of your C-TUG;

- After using your C-TUG in salt water, or sandy/dusty conditions remove the wheels, disassemble the chassis and hose down with fresh water. Wash the axle area thoroughly.
- Do not clean with solvents or solvent based products, and avoid commercial cleaning products, fresh water is best for cleaning C-TUG components.
- When portaging in hot, dry or dusty conditions it is recommended that you spray axles with water regularly to avoid overheating in the axle area.
- Each time you fit the wheels to your C-TUG ensure the axle is clean and free of sand or debris.
- Do not leave your C-TUG cart in strong sunlight for extended periods. Your C-TUG is designed for use outdoors but both rubber and thermoplastics will degrade if left in strong sunlight for long periods.

Your C-TUG Cart is a robust, quality product designed to take the hard work out of getting your watercraft to and from the water. With reasonable care you can expect it to serve you well for many years. There is a 2 year warranty against manufacturing defects on the SandTrakz wheels, and a 5 year warranty against manufacturing defects on standard Kiwi wheels and all other parts. Please refer to our website [www.c-tug.com](http://www.c-tug.com) for more details and information on how to make a warranty claim.

**NOTE: Load should not be stored for long periods on SandTrakz wheels. Wheels must be washed to remove sand from axle area after each use.**

C-TUG encourages users of C-TUG products to observe safe practice procedures when using products in marine environments.

**C-TUG Cart:** Reg'd Design NZ 402217  
USA D490955  
Canada = 99299  
Copyright China 2011-F-052617  
Patent NZ 515498

**SandTrakz Wheel:** Reg'd Design AUS 365455  
NZ Patent 711637  
Global Patent Pending

[www.c-tug.com](http://www.c-tug.com)

**Disclaimer: C-TUG is not responsible for injury or damage to persons or property resulting from the misuse of this product.**



**SANDTRAKZ™**  
Longer is better than wider

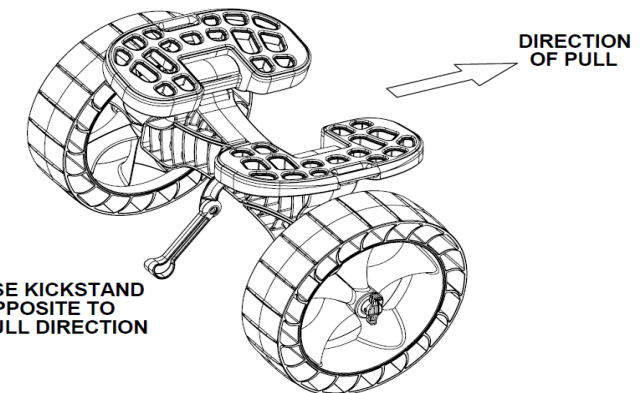
## CONNECTING STRAPS TO HULL PADS

1. Thread ladder lock onto strap
2. Thread strap through hull pad
3. Feed strap back through ladder lock



PLACE KICKSTAND AT THE BACK OF THE KAYAK TO ENSURE IT FOLDS AWAY IF IT HITS AN OBJECT

**Whether you place your C-TUG at the front or the back of your kayak, dinghy or small boat, always make sure the kick-stand is opposite of the pulling direction, i.e. behind the cart.**



**MADE IN NEW ZEALAND**